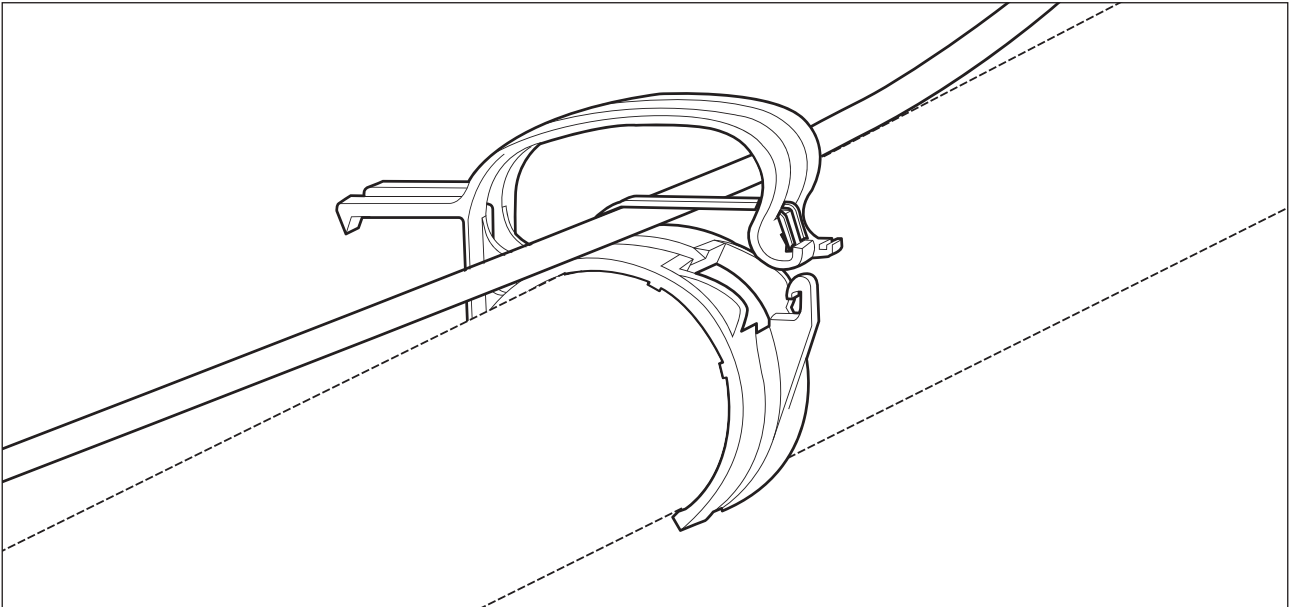


## 1. Cable routing



- holds cables up to a total cross-section of approximately 950 mm<sup>2</sup>
- cable clamp, lockable with one hand
- easy installation and removal of cables via locking hook on one side (possible with one hand)

### Optional attachment of a rubber ring (O-ring)

- holds down individual cables directly on the chord tube
- possible to straighten cables by pulling them taut – axial resistance provided by rubber band
- no change in workflow; continuing easy installation and removal of cables (possible with one hand)

**SNAP is also available without a power socket holder, as SNAP light, and is available in the colours “aluminium finish” (silver) and “black”.**

Contact:

**HSK-Schulte GmbH**  
Eisenweg 1 / D-58540 Meinerzhagen

Tel.: +49 2354 9285-0  
info@hsk-schulte.de

Contact partners: Herbert Schulte, Steffen Schulte