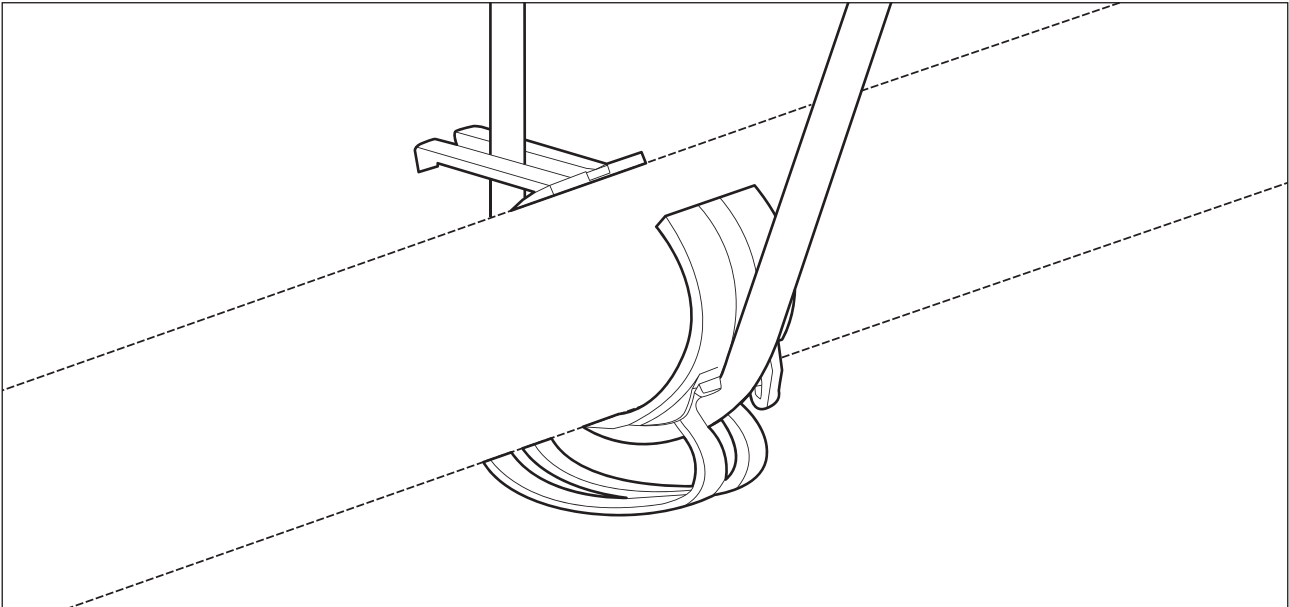




3. Abrasion protection



- divided clamp to hold suspension elements/wire cables with a diameter of up to 10 mm
- non-slip abrasion protection between truss and suspension element
- no damage to SNAP, due to protected space in the locking area

SNAP is also available without a power socket holder, as SNAP light, and is available in the colours “aluminium finish” (silver) and “black”.

Contact:

HSK-Schulte GmbH
Eisenweg 1 / D-58540 Meinerzhagen

Tel.: +49 2354 9285-0
info@hsk-schulte.de

Contact partners: Herbert Schulte, Steffen Schulte

www.the-snap.de