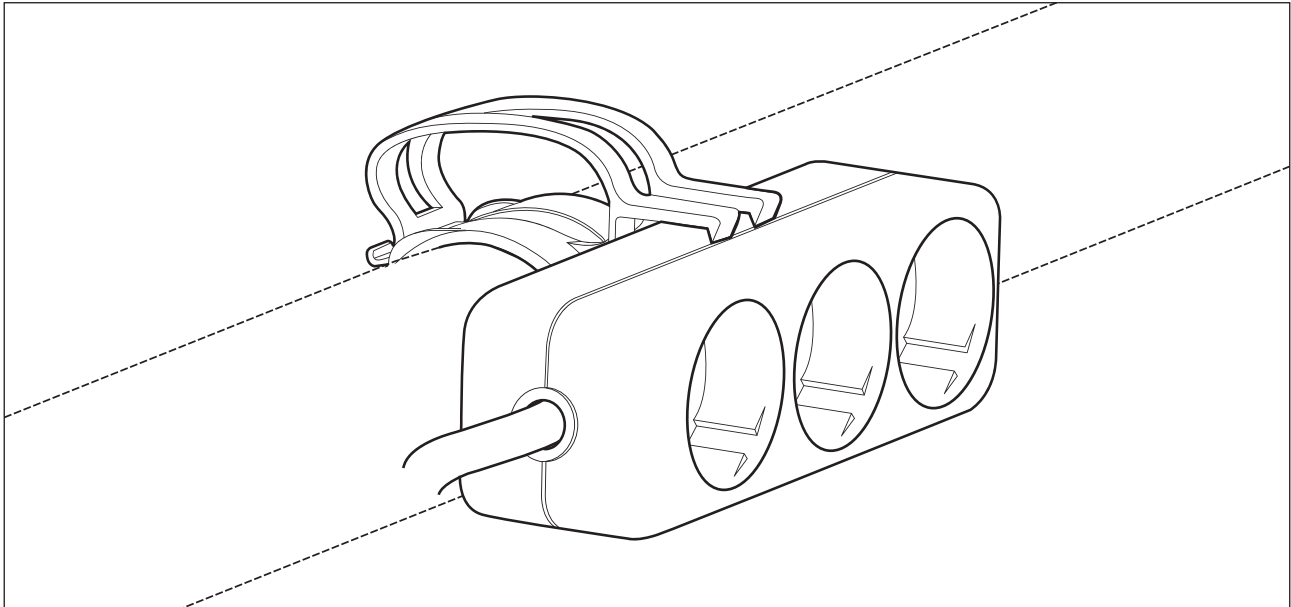




2. Power socket holder



- permits easy clipping of the most popular multiple power socket strips
- no interference with the sockets
- 90° opening of the clamp for the power socket holder, so that plugs can be pulled out with one hand without detaching the clamp from the tube
- possible to use multiple SNAPS for long power socket strips

SNAP is also available without a power socket holder, as SNAP light, and is available in the colours “aluminium finish” (silver) and “black”.

Contact:

HSK-Schulte GmbH
Eisenweg 1 / D-58540 Meinerzhagen

Tel.: +49 2354 9285-0
info@hsk-schulte.de

Contact partners: Herbert Schulte, Steffen Schulte

www.the-snap.de